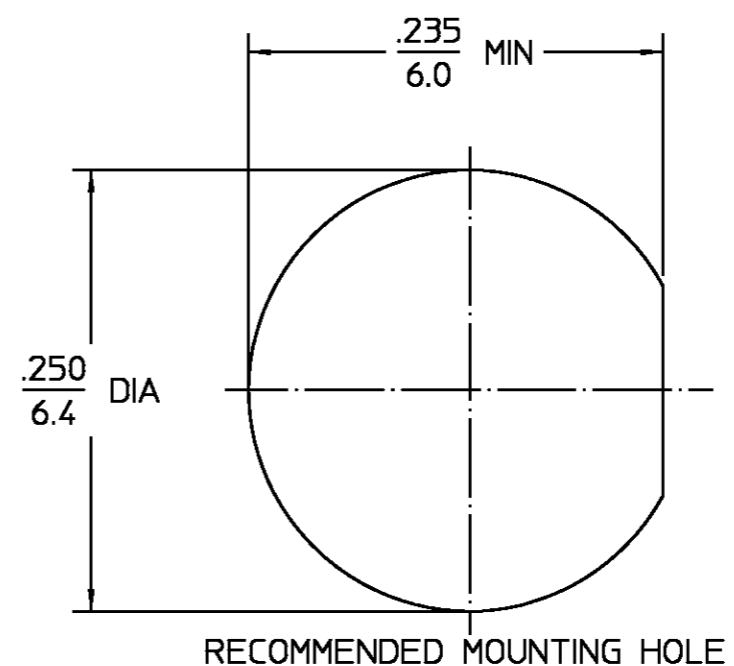


REVISIONS			
REV	DESCRIPTION	DATE	APPROVED
02 ₂	REDRAWN ON CAD ECN 94-0474 <i>RAC</i>	2/16/95	<i>RAC</i> 2/16/95



COMPONENT	MATERIAL	FINISH
HOUSING MOUNTING NUT	STAINLESS STEEL PER ASTM-A484 AND ASTM-A582, TYPE 303	GOLD PLATE PER MIL-G-45204
DIELECTRIC	TFE FLUOROCARBON PER ASTM-D-1457	N/A
CENTER CONTACT	BERYLLIUM COPPER PER ASTM-B-196 OR ASTM-B-197, ALLOY C17300, CONDITION H	GOLD PLATE PER MIL-G-45204
GASKET	VITON 'A' PER MIL-R-83248	N/A

NOTES:
1. CAPTURED CENTER CONTACT

UNLESS OTHERWISE SPECIFIED DIMENSIONS ARE IN INCHES FRAC. ± 1/64 DEC. ± .005 ANGLES ± 1°	DRAWN BY	DATE	AMP AMP Incorporated 140 Fourth Avenue Waltham, MA 02451-7599
	CHECKED BY		
	APPD BY		
These drawings and specifications are the property of M/A COM Interconnect Div. and shall not be reproduced or copied or used in whole or in part as the basis for the manufacture or sale of item(s) without written permission.	USE ASSY PROCEDURE	TITLE OSSM BULKHEAD JACK TO JACK ADAPTER-HERMETICALLY SEALED	
	NO. A.P. _____	SIZE B	CODE IDENT NO. 1084-1100-00
		SCALE 10/1	REV 02 ₂
		SHEET 1 OF 1	